

# TH-10

TH SERIES

## FEATURES

- 10" ultra low distortion woofer
- High output driver with neodymium Magnet and titanium nitride coated dome
- High SPL
- Excellent transient characteristics
- Install easy and convenient

## DESCRIPTION

The TH-10 is a versatile full range two-way loudspeaker system that features an ultra low distortion 10" woofer and a 1.75" compression driver coupled to a 80°x50° rotatable elliptical waveguide.

The TH-10 incorporates a multisession enclosures fitted with M8 threaded points for use with an optional U-bracket and includes an integral top hat.

## APPLICATIONS

- Band PA
- Nightclub installations
- Gymnasiums
- Theater
- Church
- Any environment where enjoyable music

## PERFORMANCE

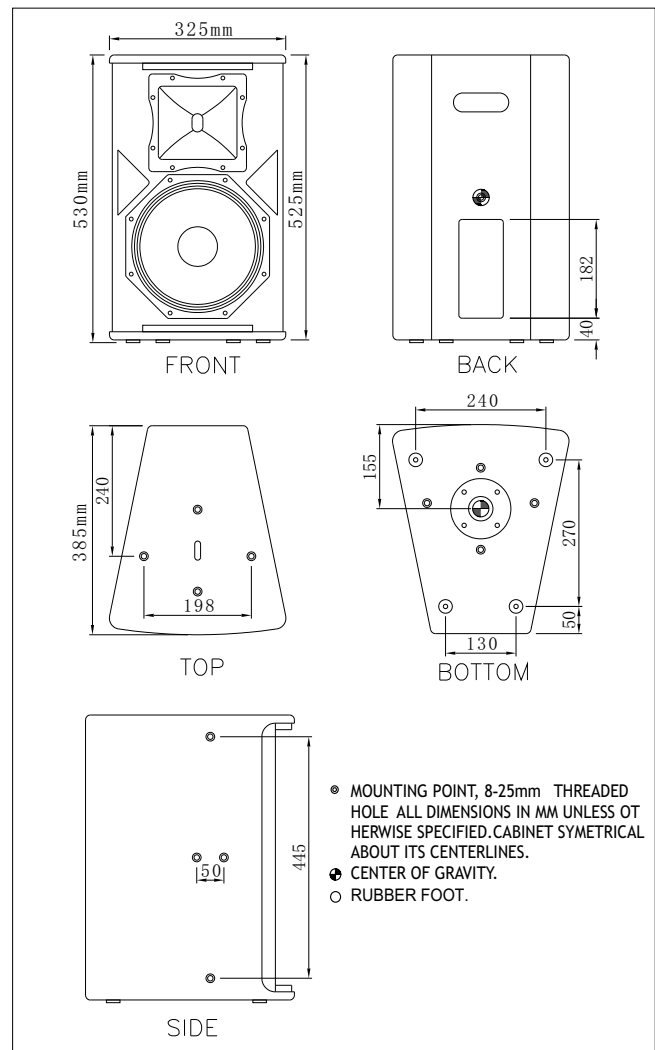
Frequency Response(1 Watt@1m)	.....	
±3dB	65-17kHz	
±10dB	60-18kHz	
Axial Sensitivity(dB SPL)	96dB	1 Watt@1m
	125dB	Max
Impedance(ohms)	8Ω	
Power handling	200w	Nominal
	400w	Continuous
	800w	Peak
Nominal Coverage Angle, -6 dB points (degrees)	.....	
Horz	80°	
Vert	50°	
Recommended High-Pass Frequency	.....	
	12dB/Octave 60Hz	

## PHYSICAL

System Configuration	2-way,full range
LF Subsystem	1x10 inch mid-woofer
HF Subsystem	1x1 inch exit / 1.75 inch voice coil compression driver, horn-loaded
Enclosure Materials	Baltic birch plywood
Finish	Wear-resistant black textured Paint
Connectors	2x Nl4 Speakon ±1
Dimensions	325(W) x 530(H)x 385(D)mm
Casing Size	415(L) x 355(W)x 565(H)mm
Weight(kg)	N.W:21.5 G.W:24.5



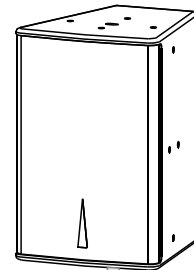
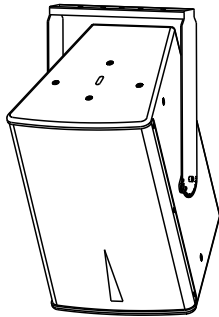
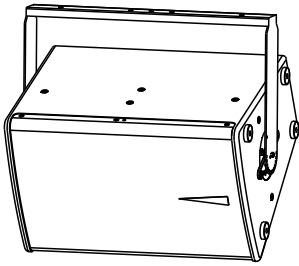
## DIMENSIONAL DRAWING



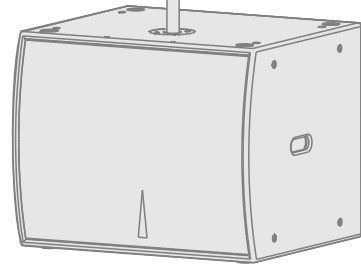
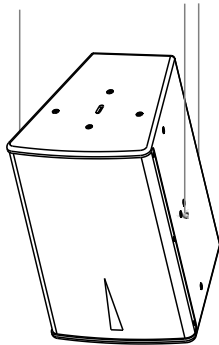
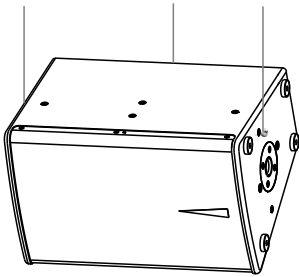
# TH-10

TH SERIES

## INSTALLATION AND USE OF ACCESSORIES



TH-10

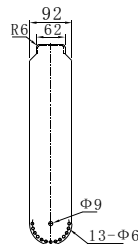
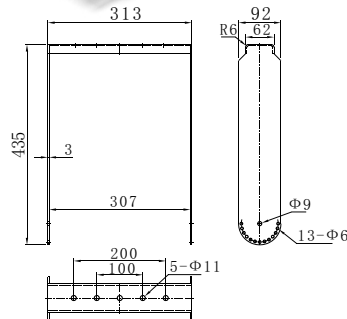
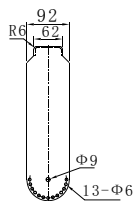
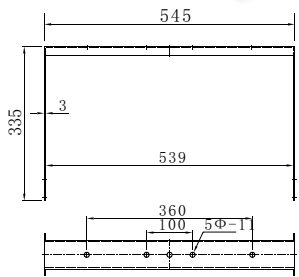


A09-592



A09-593

A09-010



A09-585

