

TH-15

TH SERIES

FEATURES

- 15" ultra low distortion woofer
- High output driver with neodymium Magnet and titanium nitride coated dome
- High SPL
- Excellent transient characteristics
- Install easy and convenient

DESCRIPTION

The TH-15 is a versatile full range two-way loudspeaker system that features an ultra low distortion 15" woofer and a 3" compression driver coupled to a 80°x50° rotatable elliptical waveguide.

The TH-15 incorporates a multisession enclosures fitted with M8 threaded points for use with an optional U-bracket and includes an integral top hat.

APPLICATIONS

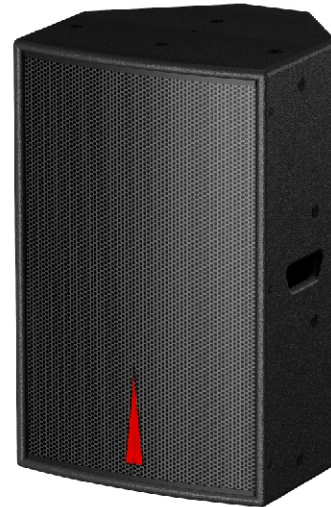
- Band PA
- Nightclub installations
- Gymnasiums
- Theater
- Church
- Any environment where enjoyable music

PERFORMANCE

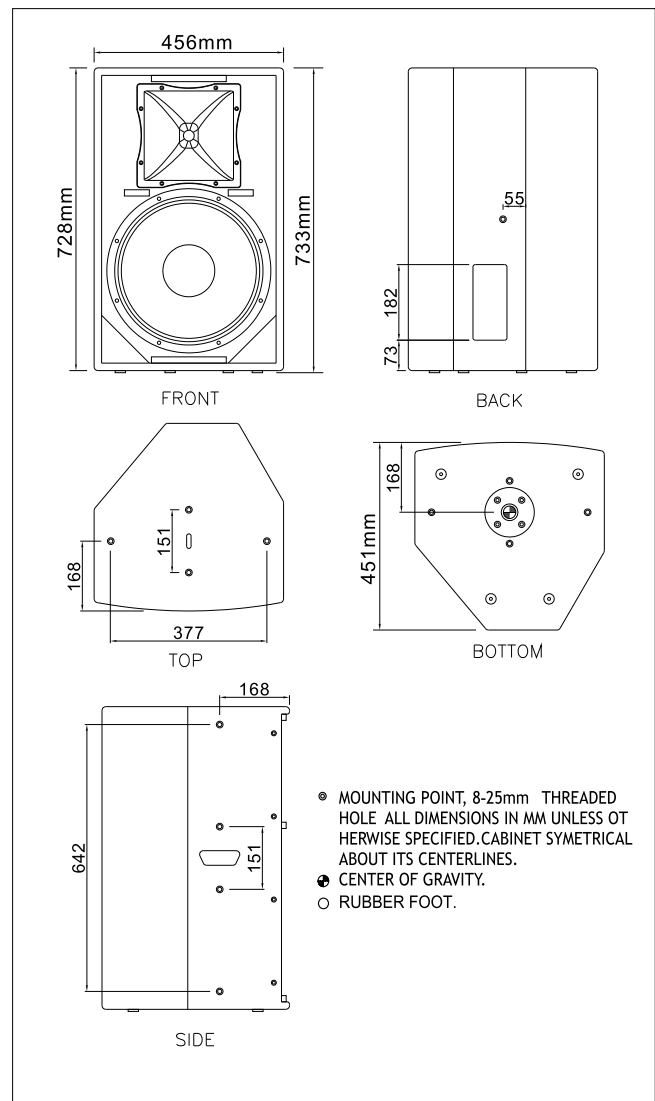
Frequency Response(1 Watt@1m)	
±3dB	55-17kHz	
±10dB	45-18kHz	
Axial Sensitivity(dB SPL)	98dB	1 Watt@1m
	131dB	Max
Impedance(ohms)	8Ω	
Power handling	450w	Nominal
	900w	Continuous
	1800w	Peak
Nominal Coverage Angle, -6 dB points (degrees)	
Horz	80°	
Vert	50°	
Recommended High-Pass Frequency	
	12dB/Octave 45Hz	

PHYSICAL

System Configuration	2-way,full range
LF Subsystem	1x15 inch mid-woofer
HF Subsystem	1x1.75 inch exit / 3 inch voice coil compression driver, horn-loaded
Enclosure Materials	Baltic birch plywood
Finish	Wear-resistant black textured Paint
Connectors	2x N14 Speakon ±1
Dimensions	456(W) x 733(H)x 451(D)mm
Casing Size	485(L) x 485(W)x 770(H)mm
Weight(kg)	N.W:28 G.W:30.8



DIMENSIONAL DRAWING



TH-15

TH SERIES

INSTALLATION AND USE OF ACCESSORIES

