

TH-12

TH SERIES

FEATURES

- 12" ultra low distortion woofer
- High output driver with neodymium Magnet and titanium nitride coated dome
- High SPL
- Excellent transient characteristics
- Install easy and convenient

DESCRIPTION

The TH-12 is a versatile full range two-way loudspeaker system that features an ultra low distortion 12" woofer and a 1.75" compression driver coupled to a 80°x50° rotatable elliptical waveguide.

The TH-12 incorporates a multisession enclosures fitted with M8 threaded points for use with an optional U-bracket and includes an integral top hat.

APPLICATIONS

- Band PA
- Nightclub installations
- Gymnasiums
- Theater
- Church
- Any environment where enjoyable music

PERFORMANCE

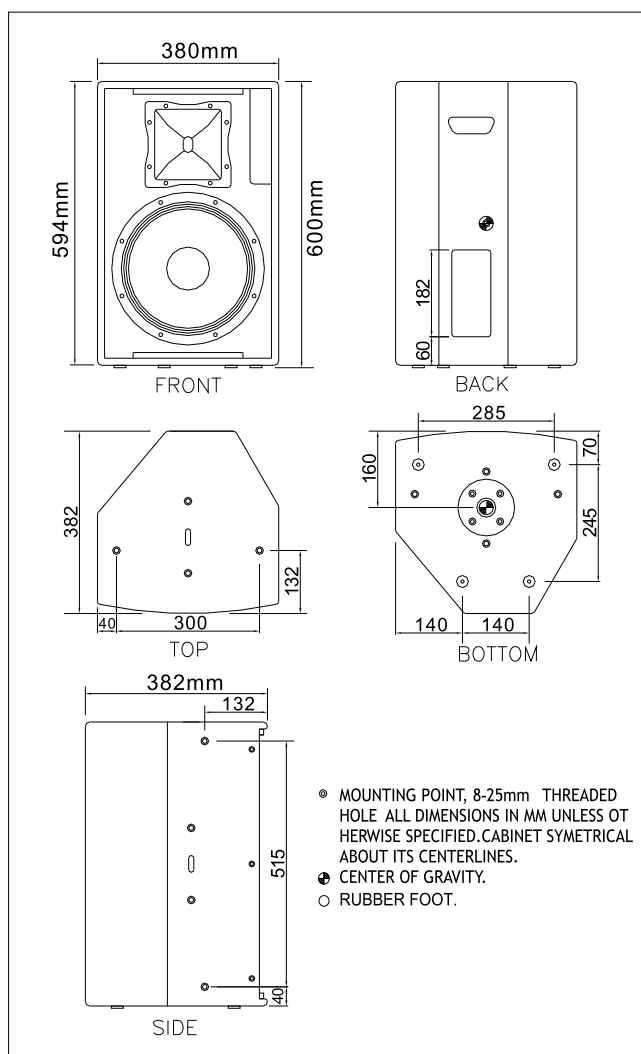
Frequency Response(1 Watt@1m)	
±3dB	60-17kHz	
±10dB	50-18kHz	
Axial Sensitivity(dB SPL)	97dB	1 Watt@1m
	128dB	Max
Impedance(ohms)	8Ω	
Power handling	350w	Nominal
	700w	Continuous
	1400w	Peak
Nominal Coverage Angle, -6 dB points (degrees)	
Horz	80°	
Vert	50°	
Recommended High-Pass Frequency	
	12dB/Octave 50Hz	

PHYSICAL

System Configuration	2-way, full range
LF Subsystem	1x12 inch mid-woofer
HF Subsystem	1x1 inch exit / 1.75 inch voice coil compression driver, horn-loaded
Enclosure Materials	Baltic birch plywood
Finish	Wear-resistant black textured Paint
Connectors	2x N14 Speakon ±1
Dimensions	380(W) x 600(H) x 382(D)mm
Casing Size	410(L) x 410(W) x 635(H)mm
Weight(kg)	N.W:20.5 G.W:23.5



DIMENSIONAL DRAWING



TH-12

TH SERIES

INSTALLATION AND USE OF ACCESSORIES

